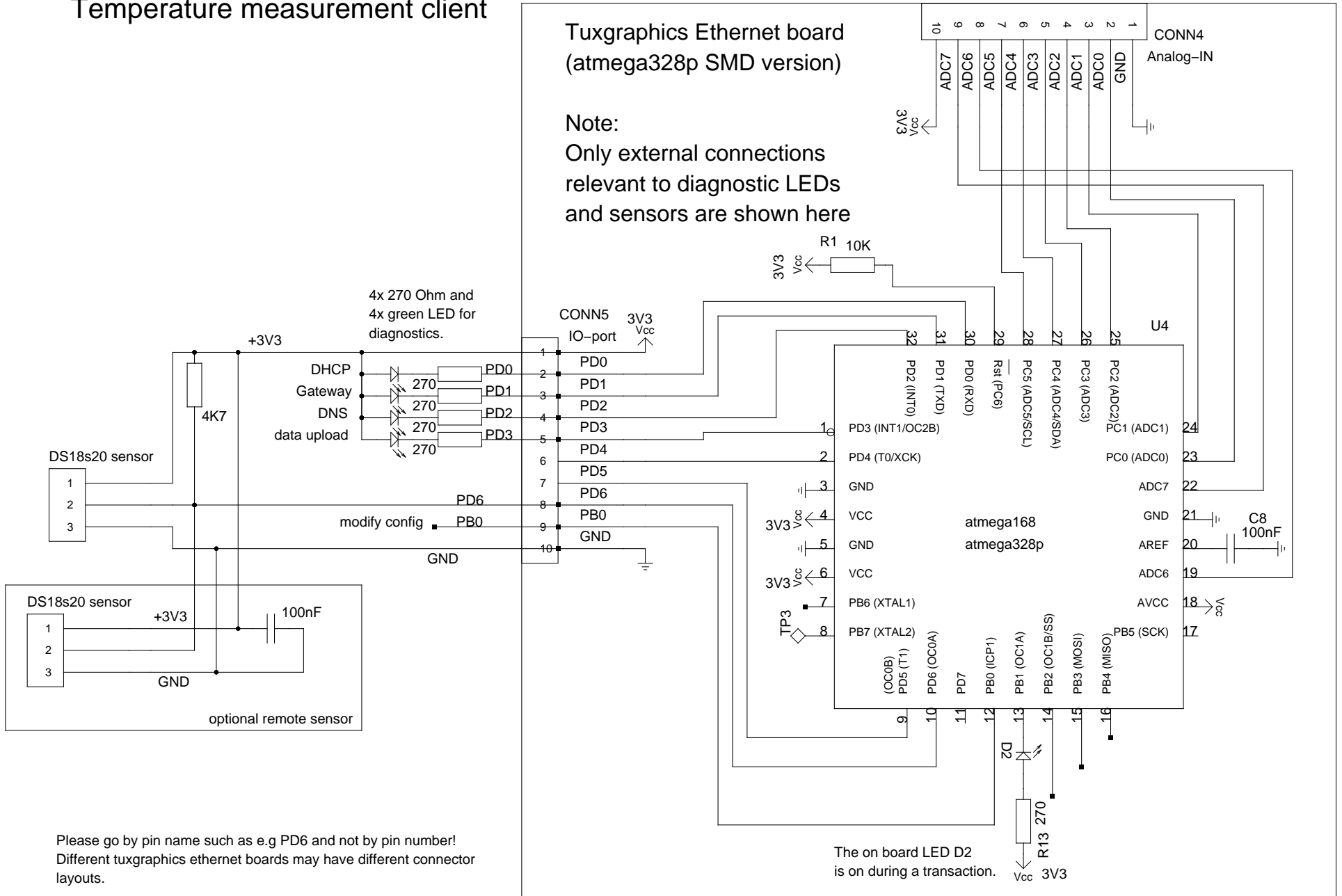


Temperature measurement client

Tuxgraphics Ethernet board
(atmega328p SMD version)

Note:
Only external connections
relevant to diagnostic LEDs
and sensors are shown here



Please go by pin name such as e.g PD6 and not by pin number!
Different tuxgraphics ethernet boards may have different connector layouts.