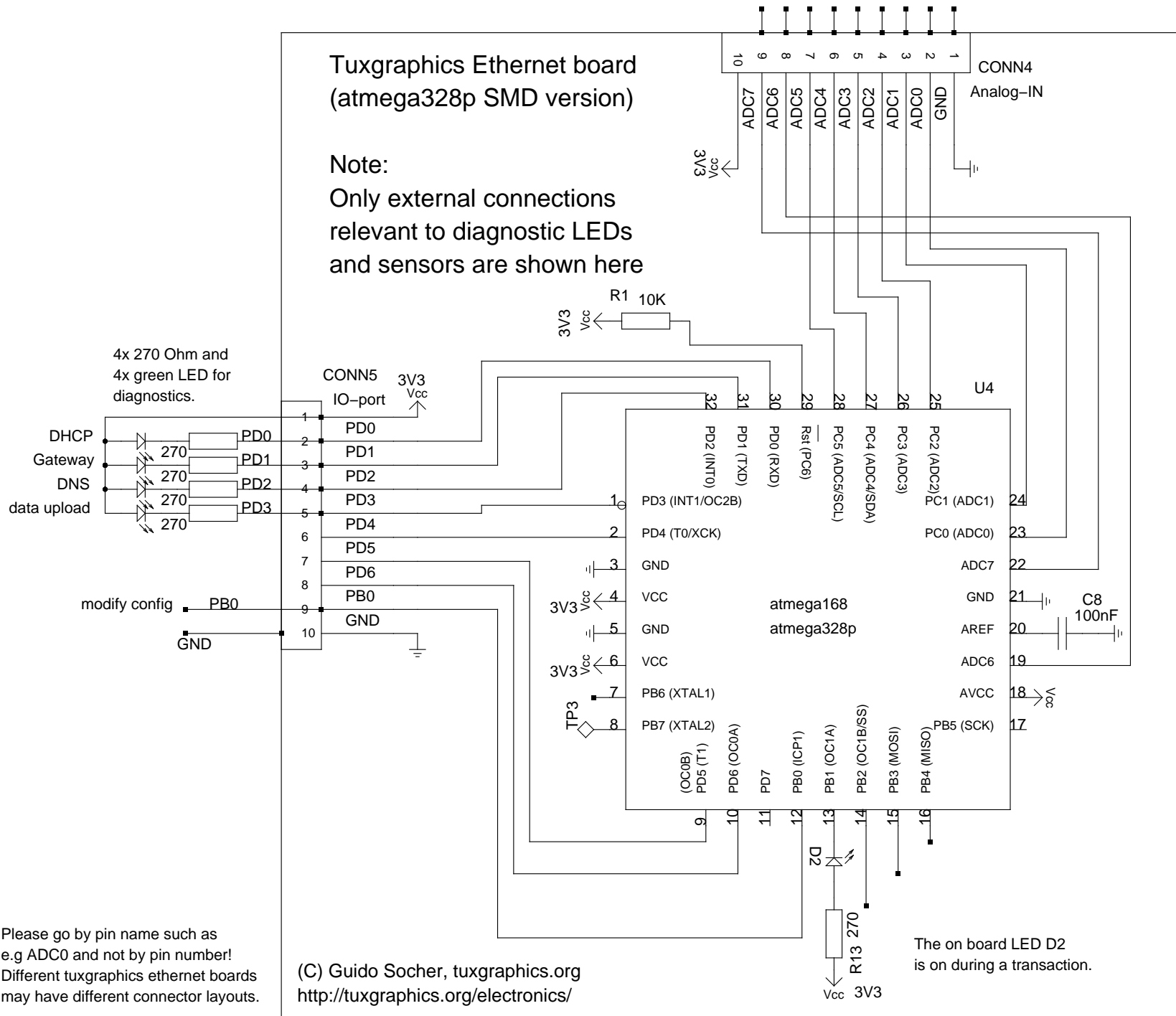


Max-ADC, measure 8 analog voltages

Analog input voltage range without voltage divider: 0 ... 1.1V DC



Please go by pin name such as e.g ADC0 and not by pin number! Different tuxgraphics ethernet boards may have different connector layouts.

(C) Guido Socher, tuxgraphics.org
<http://tuxgraphics.org/electronics/>