

DVM module pre-amp.

$$\text{gain: } U_{\text{out}}/U_{\text{in}} = 1 + R_2/R_1$$

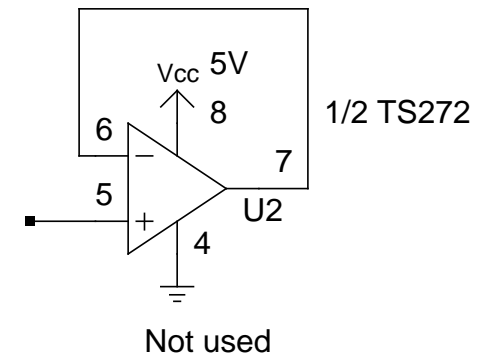
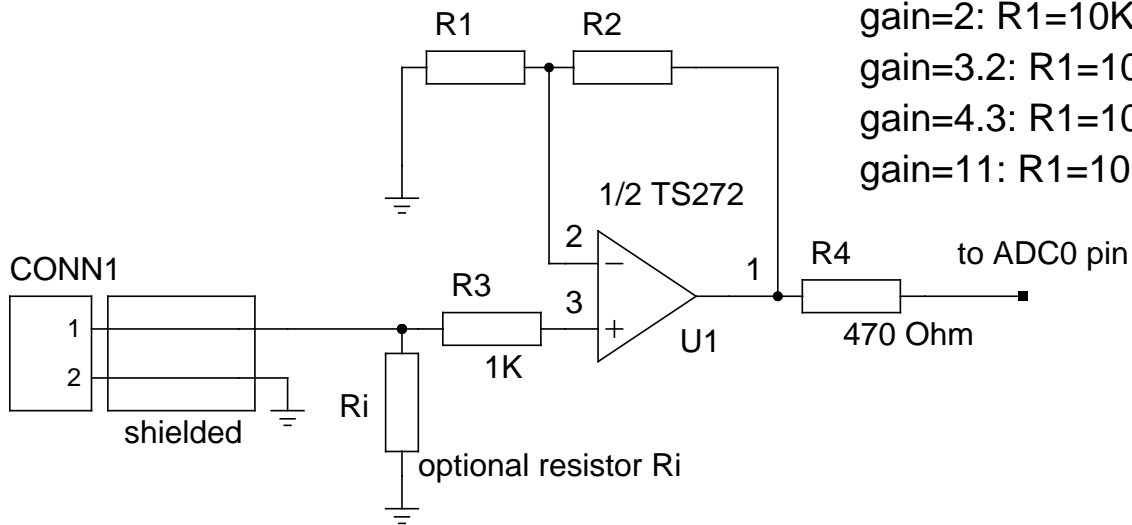
Suggested values for R1, R2:

gain=2: R1=10K, R2=10K

gain=3.2: R1=10K, R2=22K

gain=4.3: R1=10K, R2=33K

gain=11: R1=10K, R2=100K



The input impedance is over 1G Ohm. It is essential to shield this circuit otherwise it will catch all kinds of fields.

You can lower the input impedance by adding e.g. a 1M resistor (Ri) parallel to CONN1.

(c), Guido Socher, tuxgraphics.org