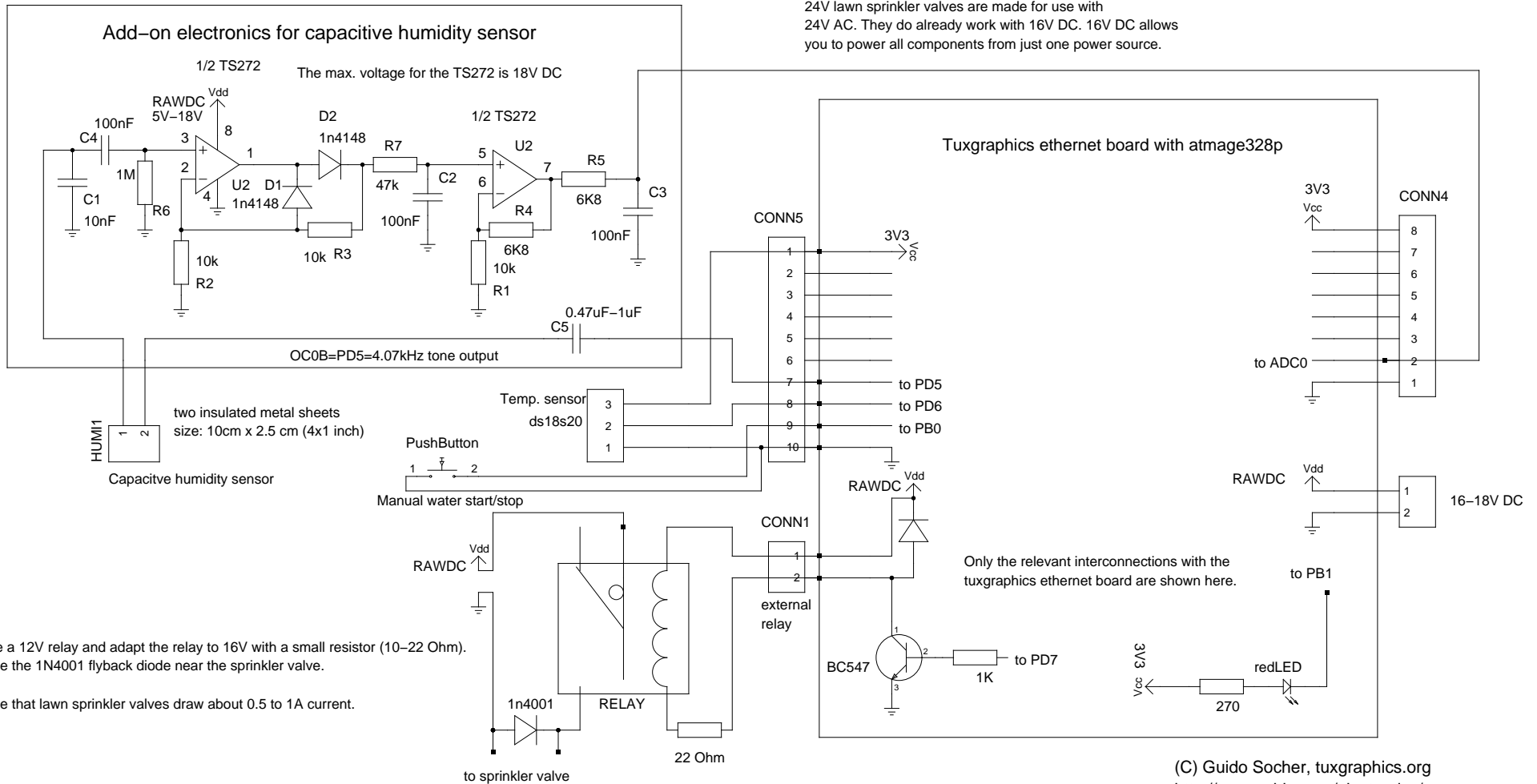


ETH-flowercare, setup for 24V lawn sprinkler valves

24V lawn sprinkler valves are made for use with 24V AC. They do already work with 16V DC. 16V DC allows you to power all components from just one power source.



Use a 12V relay and adapt the relay to 16V with a small resistor (10-22 Ohm). Note the 1N4001 flyback diode near the sprinkler valve.

Note that lawn sprinkler valves draw about 0.5 to 1A current.

(C) Guido Socher, tuxgraphics.org
<http://tuxgraphics.org/electronics/>