

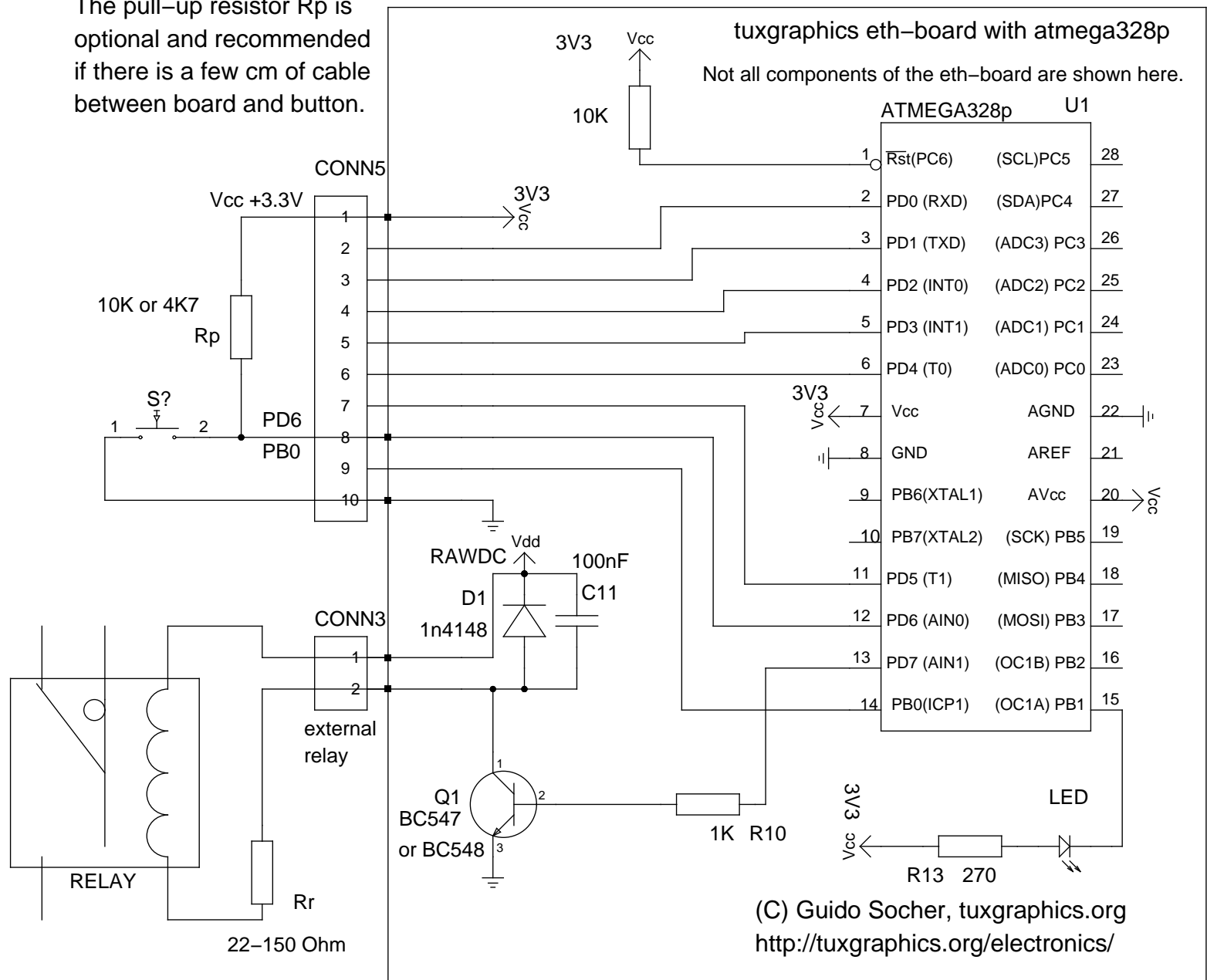
Tuxgraphics 24h Timer with web interface, external connections

The voltage for the relay coil depends on the supply voltage (RAWDC) used to power the board. Use a 5V-6V relay and add resistor R_r if the supply voltage is higher than 6.5V.

Example: 5-6.5V $R_r=0$, 7-9V $R_r=47$ Ohm, 10-12V $R_r=68$ Ohm

The exact value depends on the type of relay and the best is to try a few different values between 22 Ohm and 150 Ohm.

The pull-up resistor R_p is optional and recommended if there is a few cm of cable between board and button.



(C) Guido Socher, tuxgraphics.org
<http://tuxgraphics.org/electronics/>